

# Remodel LED Down Light Housing

## VISUAL COMFORT & Co.

E3\_R\_L\_DN | 1.1

### ARCHITECTURAL COLLECTION GENERAL PRODUCT INFORMATION

This product is suitable for remodel and new construction applications.



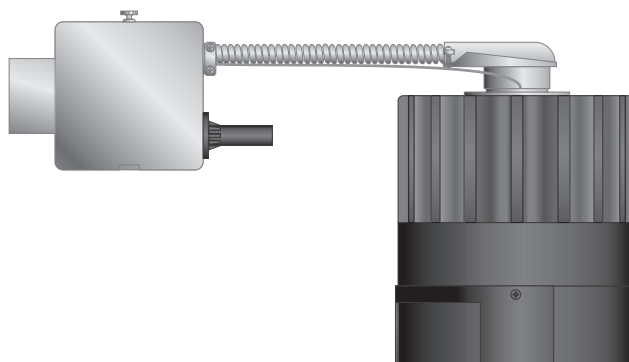
This product is suitable for damp locations.

This product is approved for use at any height above the finished floor.

Do not install insulation within 76 mm (3 in) of any part of this luminaire.

This product can be dimmed with a standard electronic dimmer.

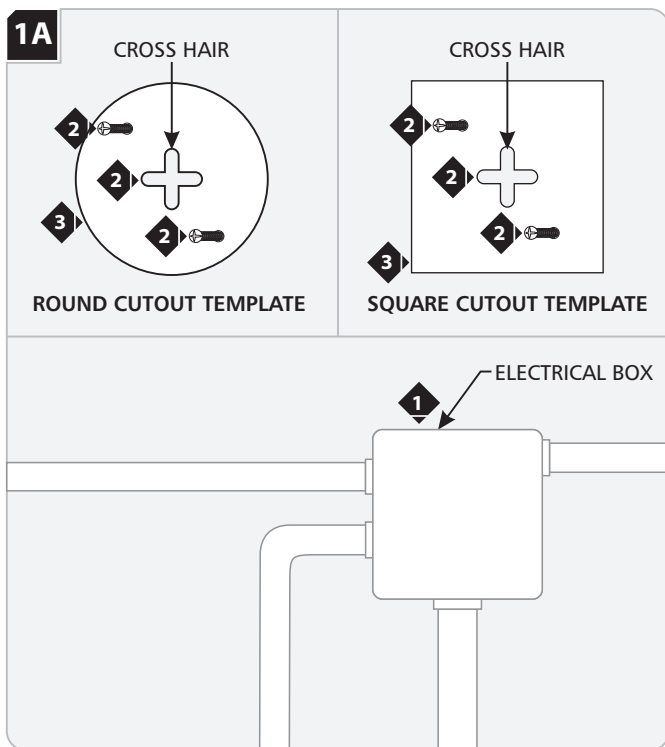
A typical installation is shown. Specific installation must be in accordance with local electrical codes. Read all instructions thoroughly before installing.



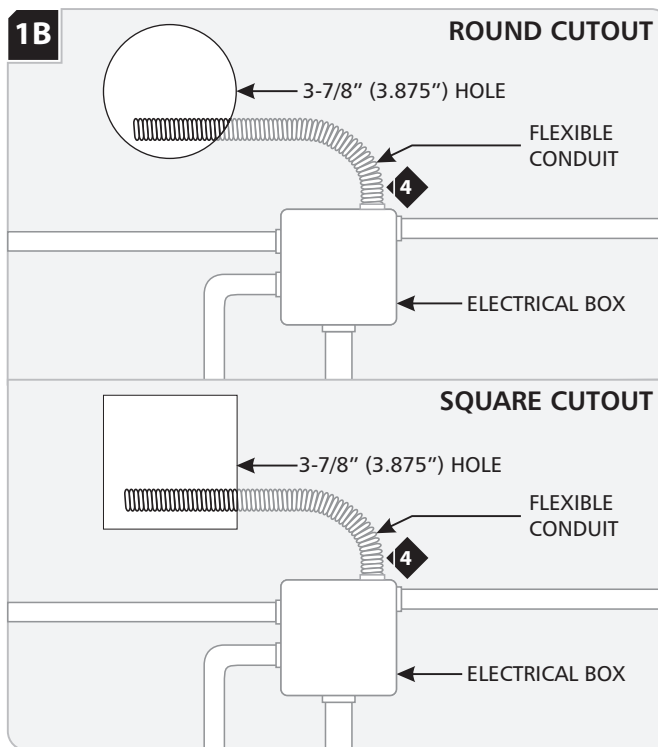
**CAUTION - RISK OF FIRE**  
This product must be installed in accordance with the applicable installation code by a person familiar with the construction and operation of the product and the hazards involved.  
Use minimum 90°C supply conductors.

**SAVE THESE INSTRUCTIONS!**

## Prepare for Installation

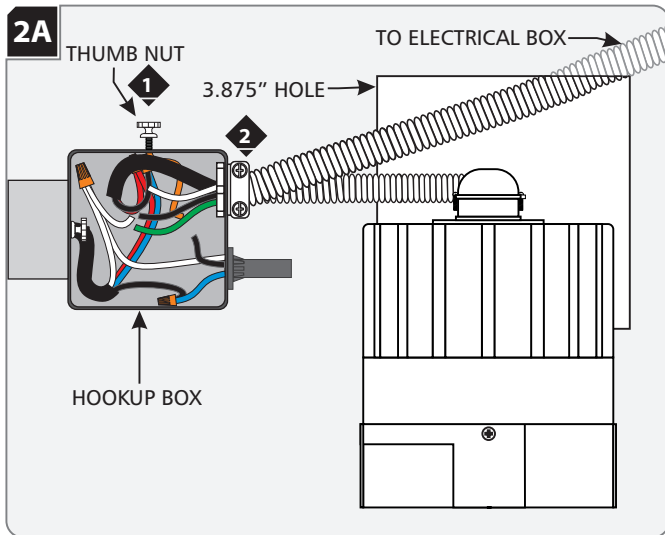


- 1** Locate any electrical boxes and conduit already present in the ceiling.
- 2** Using a laser or string, align the cutout template using the cross hairs and secure it to the ceiling with two screws.
- 3** Mark around the template and cut an approximate 3-7/8" (3.875") hole; template is slightly undersized at 3.860". Take care not to damage any existing electrical boxes or conduit.

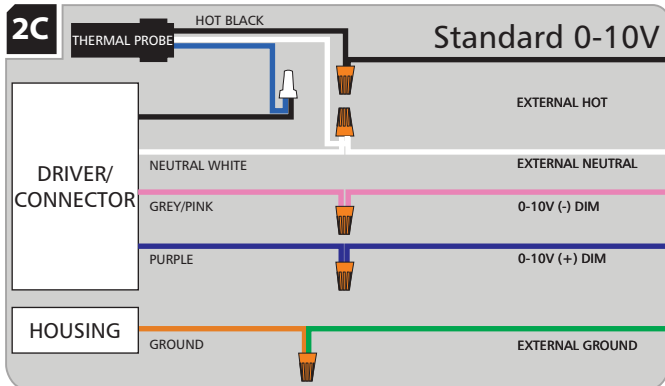
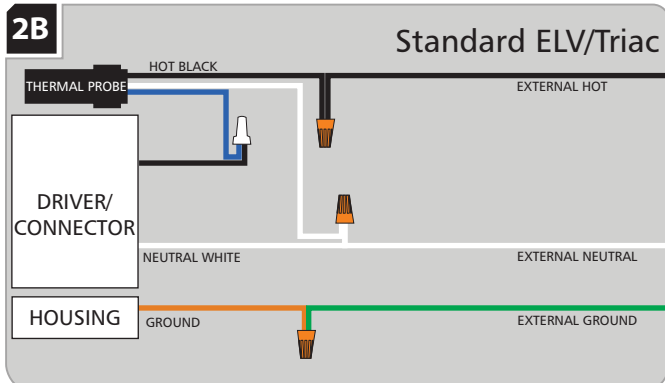


- 4** Attach flexible conduit (not included) to an electrical box and feed the conduit out of the hole.

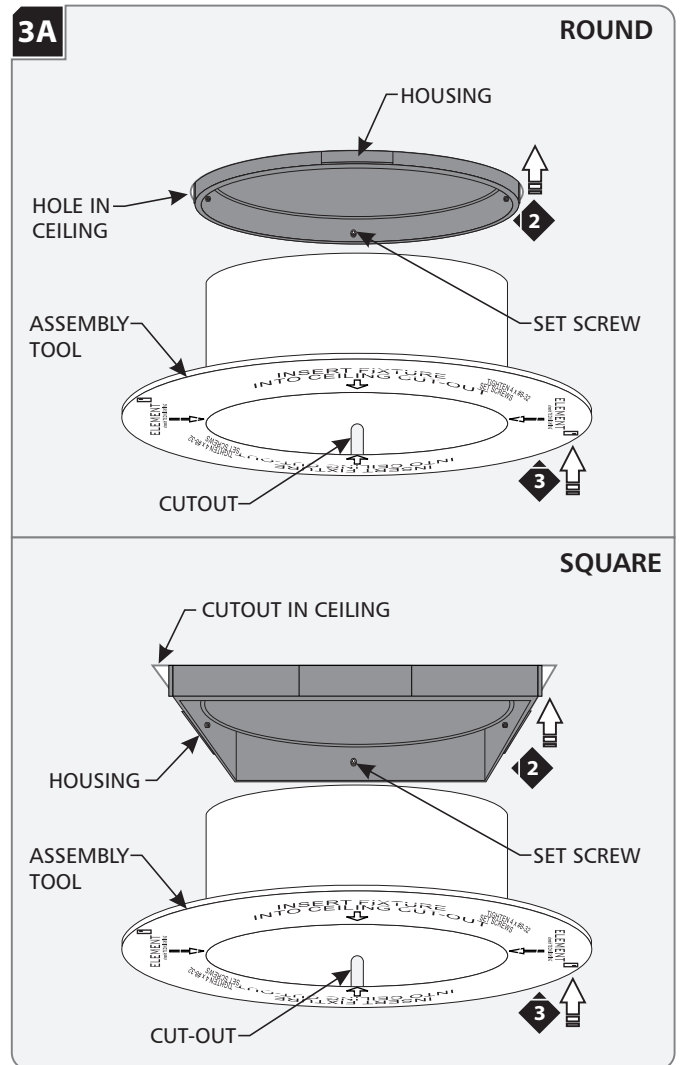
## Connect Power to the Fixture



- 1 Loosen the thumbnut and remove the cover from the hook-up box.
- 2 Attach flexible conduit (installed in **section 1A**) to the hook-up box.
- 3 Power the fixture using the following wiring diagrams according to the driver included with the fixture. Re-install the cover.

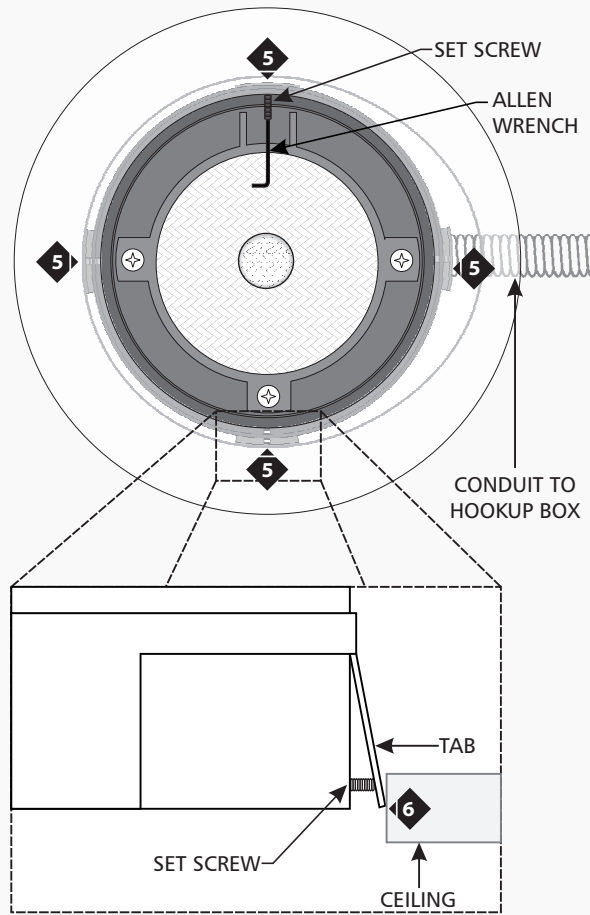
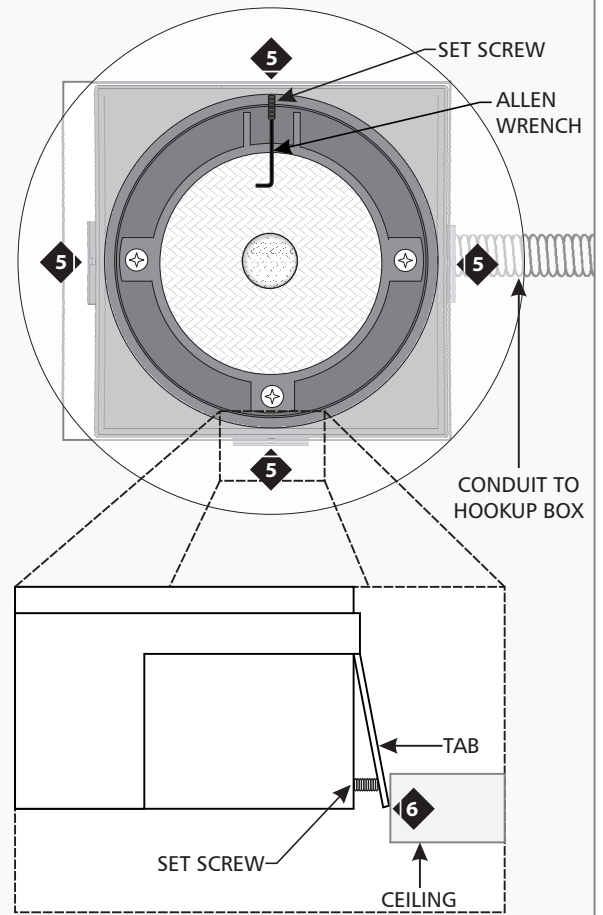


## Install the Fixture



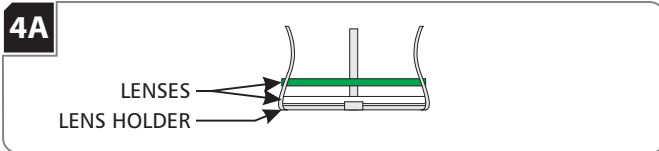
- 1 Place the hook-up box into the ceiling.
- 2 Slide the housing into the hole in the ceiling.
- 3 Use the housing assembly tool to hold the housing in place.
- 4 Rotate the placement tool until the 4 sets screws are exposed in the cutouts.

**NOTE:** The assembly tool will create a gap between the ceiling and the end of the housing so that the trim will install at the correct height.

**3B****ROUND****SQUARE**

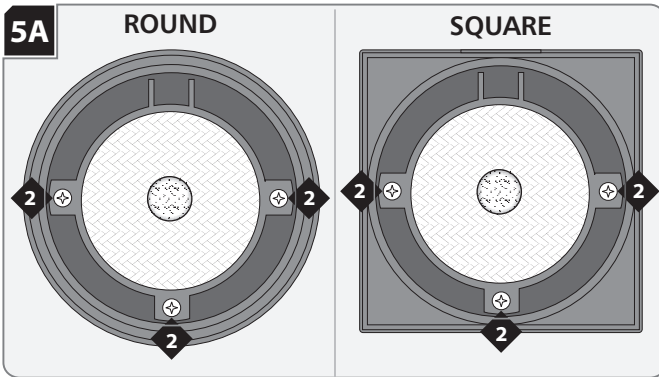
- 5 Secure the housing by screwing in the four set screws until they are flush with the inner wall of the housing. Alternate screws before tightening all the way to ensure housing remains centered in the ceiling cutout.
- 6 Ensure that all the tabs are tightly pushed against the ceiling, securing the housing in place.

## Install the Lenses (Optional)



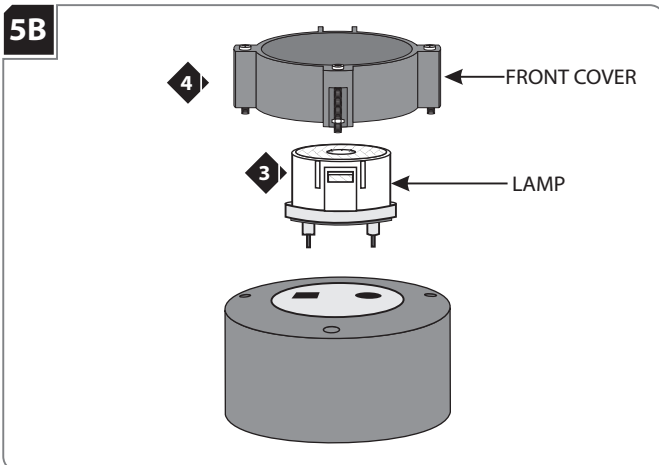
- 1 Place lenses (max. 2, optional) inside the lens holder.

## Replacing the Lamp



**CAUTION:** To reduce the risk of a burn or electric shock during relamping, disconnect the power to the fixture.

- 1 Remove the trim from the fixture.
- 2 Loosen all three screws from the lamp assembly and remove the front cover, then pull the LED lamp out.

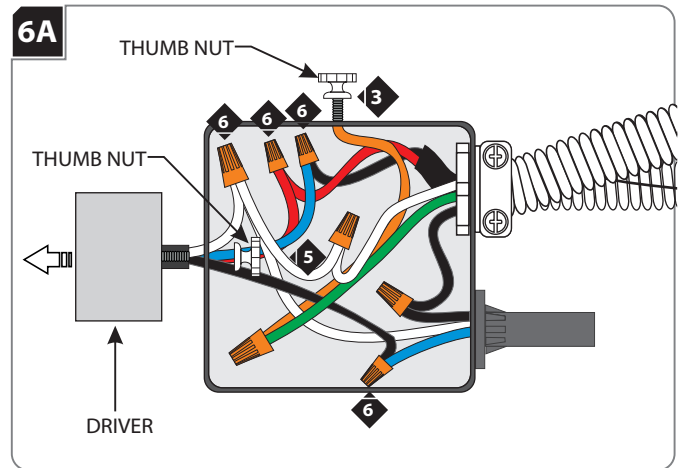


Use **ONLY 18 WATT** proprietary Element Lighting LED lamp.

**NOTE:** If installing optional lenses, see page 3 for instructions before reinstalling the front cover.

- 3 Line up the square and round pegs in the new lamp with the holes in the heatsink and push the new lamp into place.
- 4 Replace the front cover.
- 5 Reinstall the trim.

## Replacing the Driver



**CAUTION:** To reduce the risk of a burn or electric shock during the driver replacement, disconnect the power to the fixture.

- 1 Pull out the trim.
- 2 Uninstall the fixture by backing out (do not fully remove) the set screws and pull it out of the ceiling. (Reversal of figure 3A)
- 3 Loosen the thumb nut and remove the cover from the hook-up box.
- 5 Loosen the driver by unscrewing the two thumb nuts inside the hook-up box.
- 6 Release the driver by loosening the wire nuts which are connected to its wires. Take note of the wire colors and corresponding connections.
- 7 Install the new driver and secure it with the two thumb nuts.
- 8 Place the wires and wire nut connections properly into the hook up box and replace the cover.
- 9 Reinstall the fixture and trim. (See figure 3A)